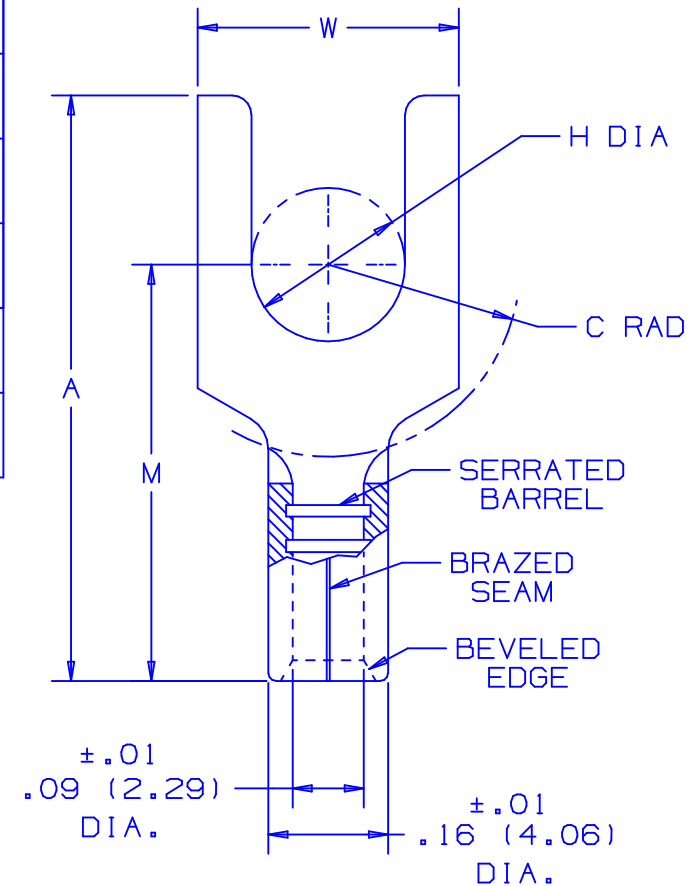


PANDUIT PART NUMBER	STUD SIZE	DIMENSIONS in.				
		A ±.02	W ±.01	C (MIN)	M ±.02	H ±.01
P14-6F	#6	.63 (16.00)	.28 (7.11)	.20 (5.08)	.49 (12.45)	.15 (3.81)
P14-6FN	#6	.63 (16.00)	.24 (6.10)	.20 (5.08)	.49 (12.45)	.15 (3.81)
P14-8F	#8	.69 (17.53)	.31 (7.87)	.23 (5.84)	.53 (13.46)	.17 (4.32)
P14-10F	#10	.71 (18.03)	.34 (8.64)	.25 (6.35)	.55 (13.97)	.20 (5.08)
P14-10FN	#10	.71 (18.03)	.31 (7.87)	.25 (6.35)	.55 (13.97)	.20 (5.08)
P14-14F	1/4"	.88 (22.35)	.44 (11.18)	.33 (8.38)	.63 (16.00)	.27 (6.86)

NOTES:

- UL LISTED AND CSA CERTIFIED FOR:
A. 18-14 AWG SOLID OR STRANDED COPPER WIRE
- MAXIMUM RECOMMENDED OPERATING TEMP. NOT TO EXCEED 150° (302° F)
- MATERIAL:
A. STAMPING - .03" (.76) THK COPPER, TIN PLATED
- PACKAGE QTY: STD. PKG. -C=100
BULK PKG. -M=1000
- DIMENSIONS IN BRACKETS ARE IN MILLIMETERS
- INSTALLATION TOOLS:
A. UL LISTED AND CSA CERTIFIED: CT-100, CT-200, CT-570, CT-1570
B. PANDUIT APPROVED: CT-160, CT-260
- WIRE STRIP LENGTH: 9/32 ^{+1/32}₀ (7.1 ⁺⁸₀)



A41255_08

08	12/03	KLFU		REMOVED NOTE 1B, ADDED NOTE 2			
07	1/01	KMD	SKB	CAD FILE SPEC. WAS N41255AA_PCD_06	8938	JAC	CCH
06	5/99	JKD	--	ADDED CT-1570 TOOL	07632	--	--
05	6/96	JB	RLS	ADDED PART NO. P14-6FN & P14-10FN TO TABLE "C" DIM. CHANGED FROM ±.015 TO MIN	04731	LA	DBH
REV	DATE	BY	CHK	DESCRIPTION	ECN #	APP	PM



TINLEY PARK, ILLINOIS

#16-14 BARREL NON-INSULATED FORK

DRAWN BY	MS	CHK'D		SCALE	N/A	DRAWING NO.	A41255
----------	----	-------	--	-------	-----	-------------	--------